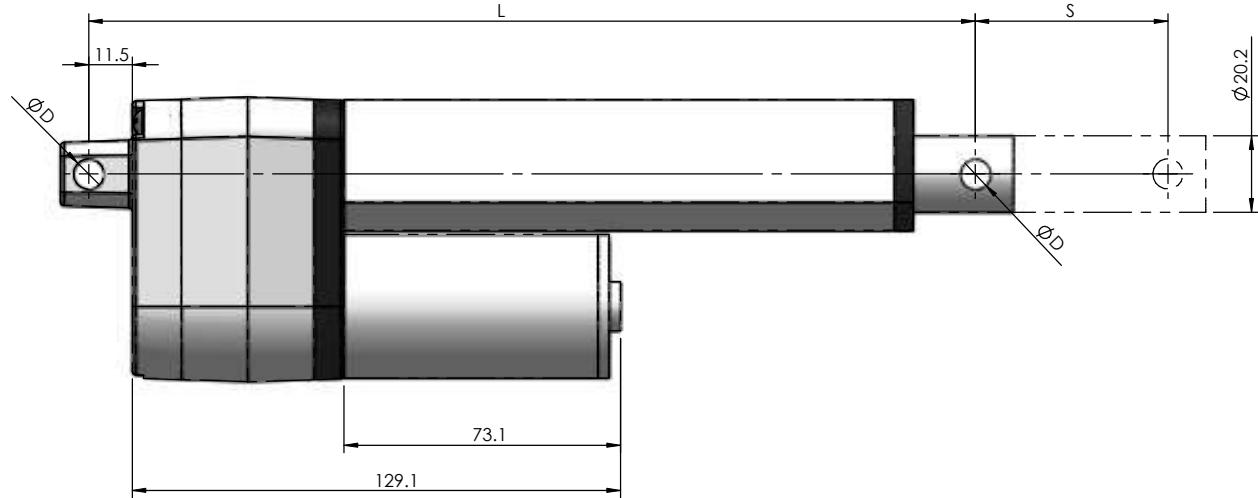
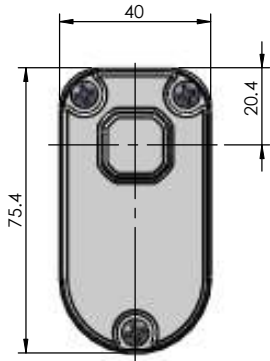
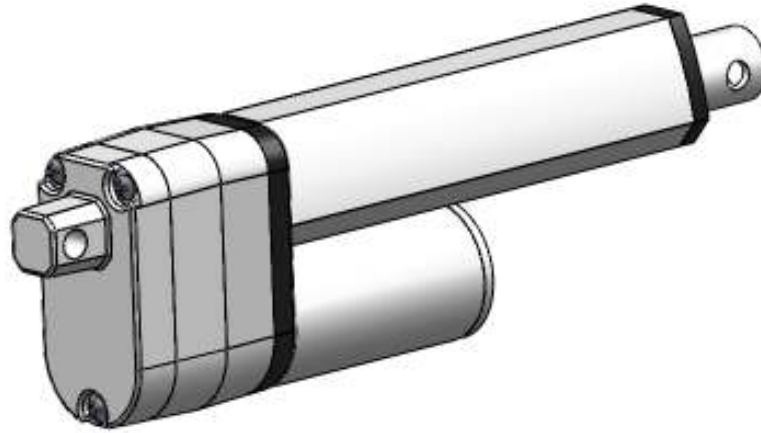
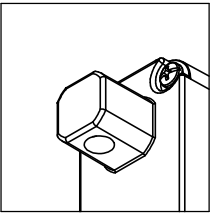
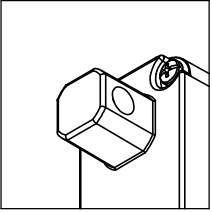
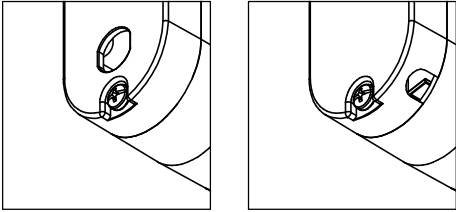


UNLESS OTHERWISE SPECIFIED
 DIMENSIONS ARE IN INCHES
 SURFACE FINISH:
 REMOVED ALL BURRS
 AND SHAPP EDGES
 SURFACE ROUGHNESS

25 ✓



CONFIDENTIAL AND PROPRIETARY				JM10		PART NO.											
THIS IS THE PROPERTY OF ADACEL. IT MUST NOT BE TRADED OR REPRODUCED IN ANY MANNER. NOR SHALL IT BE SUBMITTED TO OUTSIDE PARTIES FOR EXAMINATION WITHOUT OUR CONSENT. IT SHALL BE USED AS A MEANS OF REFERENCE TO DO WORK DESIGNED OR FURNISHED BY US.				PART NAME		DC MOTOR		WEIGHT		6		REV.					
				DESIGN		Q. A.		MATERIAL		QUANTITY		1		SHEET 1 OF 1			
				CHECK		APPY'D				SCALE		1 : 10					
						DATE								UNLESS OTHERWISE SPECIFIED TOLERANCES ARE: LENGTH 0-2 ±0.2 2-5 ±0.5 5-12 ±0.75 >12 ±1 HOLE IN			
						Adacel Technologies Ltd. Shanghai Manufacturing Center Tel: +86-512-82757188 E-mail: info@adaceltech.com											